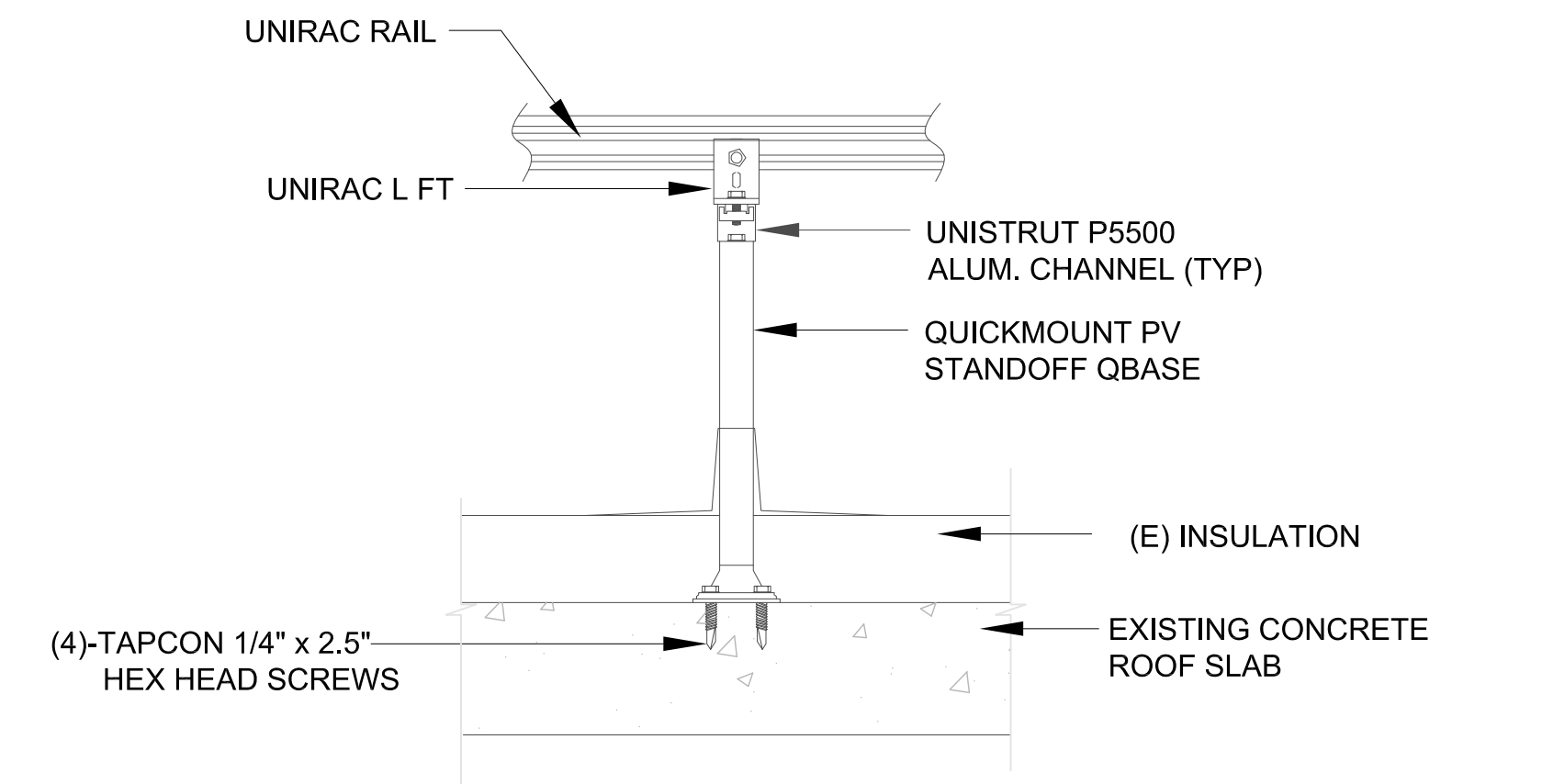
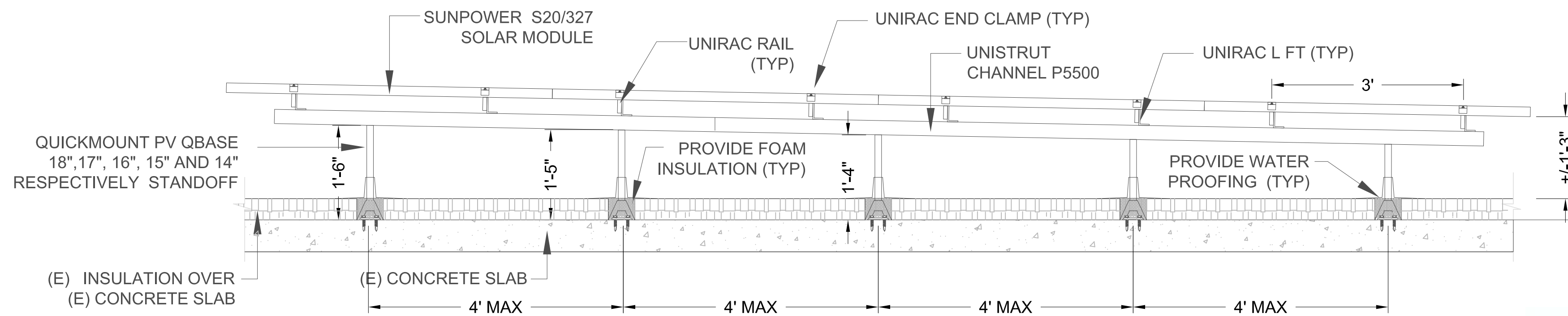


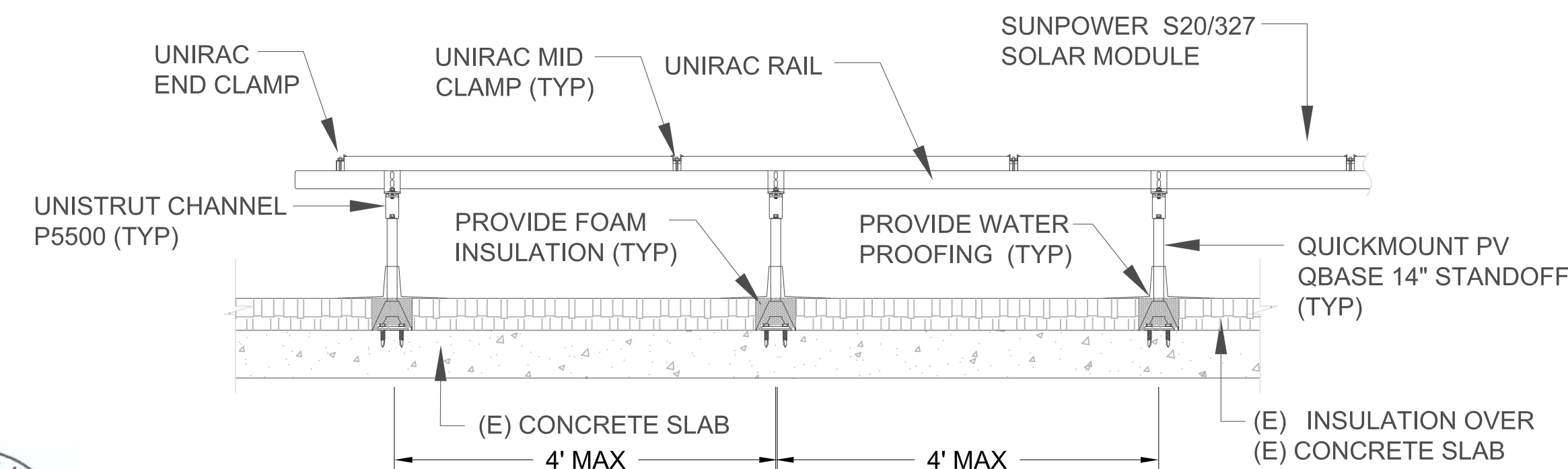
1 ANCHORING AND RACKING LAYOUT PLAN
S-1 SCALE: 1/8"=1'-0"



4 ANCHORING SECTION
S-1 SCALE: 1 1/2"=1'-0" 0' 1' 2'
Scale: 1 1/2" = 1'-0"



2 ANCHORING SECTION
S-1 SCALE: 3/4"=1'-0"



3 ANCHORING SECTION
S-1 SCALE: 3/4"=1'-0"



THIS WORK WAS PREPARED BY ME OR UNDER MY SUPERVISION, AND CONSTRUCTION OF THIS PROJECT WILL BE UNDER MY OBSERVATION

Jimmy O.G. Lam
SIGNATURE
4-30-2018
EXPIRATION DATE OF THE LICENSE



PREPARED BY:
GREENPATH TECHNOLOGIES, INC
MAILING ADDRESS: P.O. BOX 29877, HONOLULU, HI 97820
PHYSICAL ADDRESS: 754 ILANIWAI ST., HONOLULU, HI, 96813

PROJECT : FY14 MCOM P320
ADDRESS : PEARL HARBOR, HAWAII
TMK :

PHOTOVOLTAIC RACKING AND ANCHORING SHOP DRAWING

NOTE: PROVIDED ENGINEERING DOCUMENT WITH ENGINEER SEAL ARE FOR CERTIFICATION OF THE PV RACKING SYSTEM ANCHORAGE ONLY. THIS IS NOT A CERTIFICATION OF THE STRUCTURAL CAPACITY OF THE BUILDING TO TAKE THE SOLAR PANEL EQUIPMENT AND RACKING SYSTEM WEIGHT.

REVISION			DRAWN BY:	RDA
			DESIGNED BY:	
			CHECKED BY:	
DATE	SHEET	SHT #		
050316	1 OF 1	S-1		